

The Strol logo is written in a bold, white, italicized sans-serif font. A small 'TM' trademark symbol is located at the bottom right of the word 'Strol'.

StrolTM

SureTex

Installation Guidelines

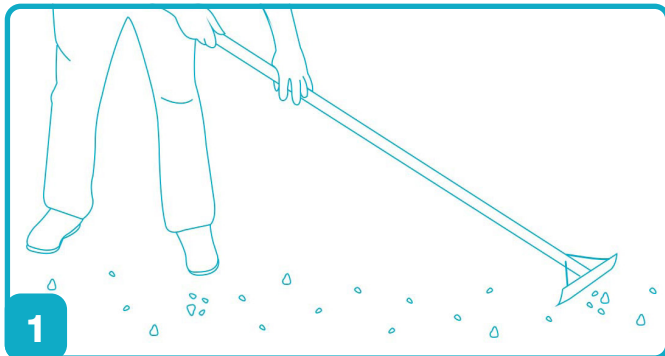
G 030 013

Issue No.: 01

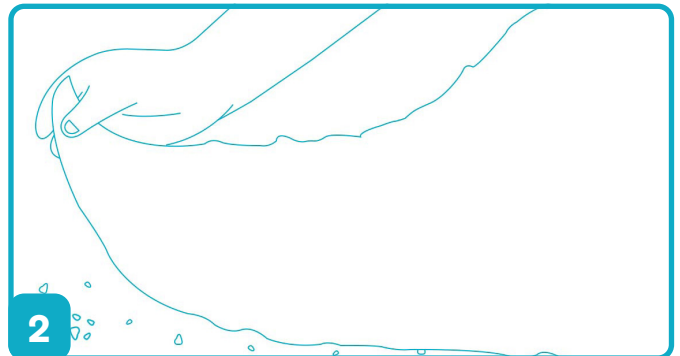
April 2023

SureTex

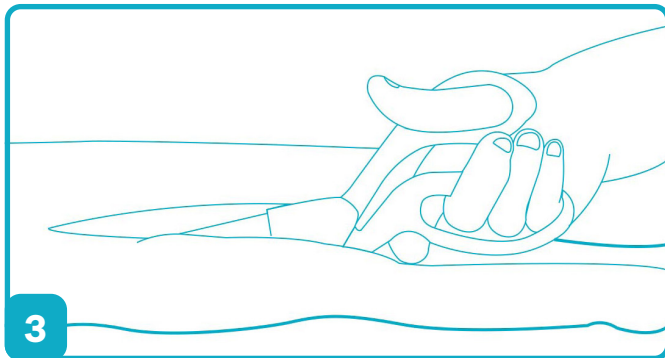
Installation Instructions



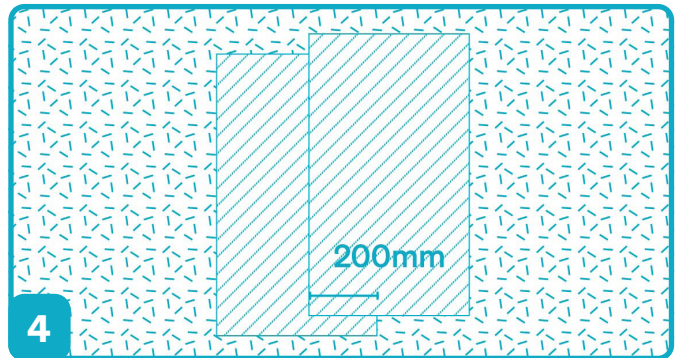
Prepare the ground by clearing away any rocks and debris, then level as much as possible to ensure the SureTex Geotextile will have adequate ground contact.



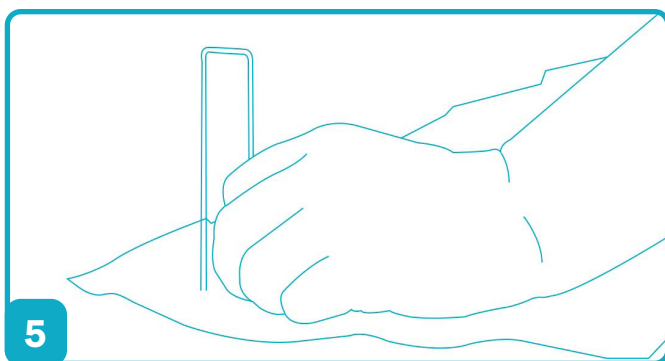
Unfold your SureTex Geotextile pack and spread across the area as required.



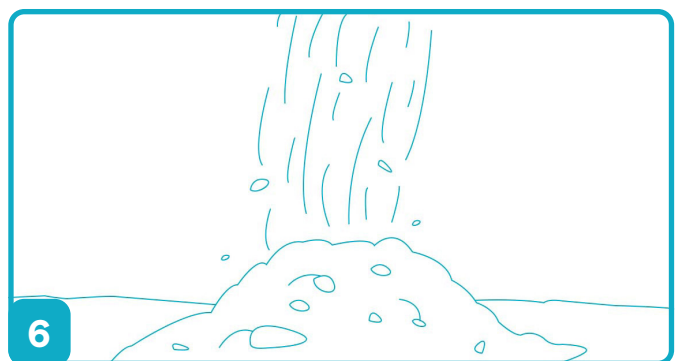
If you need to adjust the fabric to fit your space, you can easily cut it with scissors.



If you are connecting two pieces, then that the fabric is spread out with no wrinkles, then ensure to maintain at least a 200mm overlap between the pieces.



Pin the fabric on a slope or trench, with spacing that suits the application. We recommend using Strol Weedmat Pins or SquarePegs to secure your SureTex Geotextile in place.



Once your SureTex Geotextile is in place and secured, you can proceed to add your base course layer on top.

ENHANCING TOMORROW / +61 2 9066 6716 / STROL.COM.AU

StrolTM

DISCLAIMER

All information provided in this brochure is correct to the best knowledge of the company and is given out in good faith. The information presented herein is intended only as a general guide to the use of such products and no liability is accepted by Strol Ltd for any loss or damage however arising, which results either directly or indirectly from use of such information. Strol Ltd have a policy of continuous development therefore information and product specifications may change without notice. This brochure is subject to copyright in its entirety. The contents may not be reproduced in any form, either in whole or in part, without written permission from Strol Ltd. While every effort has been made to ensure the accuracy of the information in this brochure, Strol Ltd assumes no responsibility for errors or omissions or for any consequences of reliance on this catalogue. Copyright 2023. All rights reserved.