

Strol

SureSoak Stormwater Modules

Assembly Guide

G 015 006

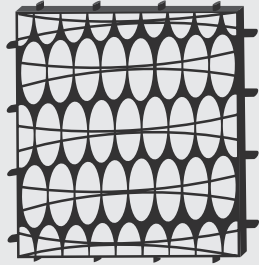
Issue No.: 01

November 2023



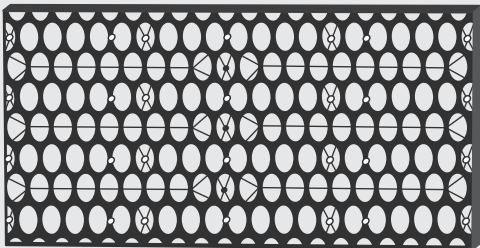
Tools Required

5 Plate Assembly



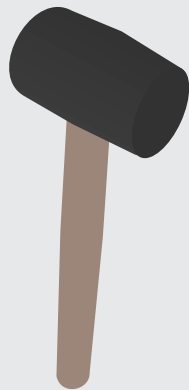
5

SMALL PLATES



4

LARGE PLATES



1

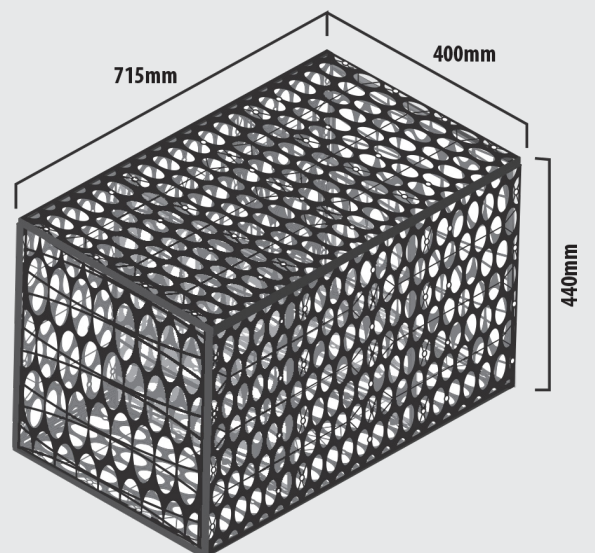
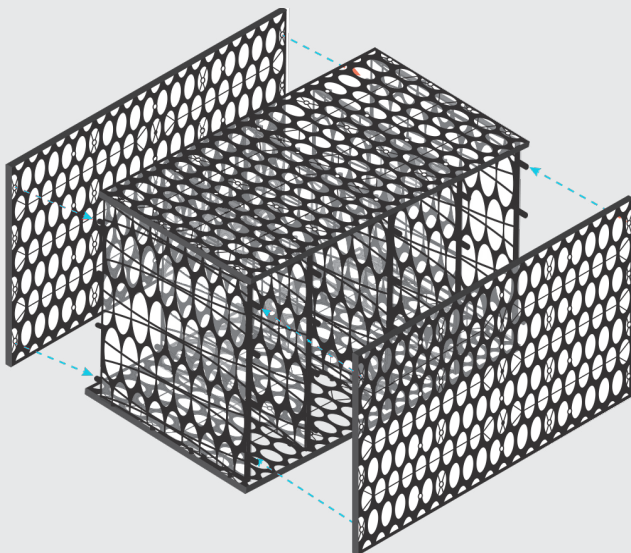
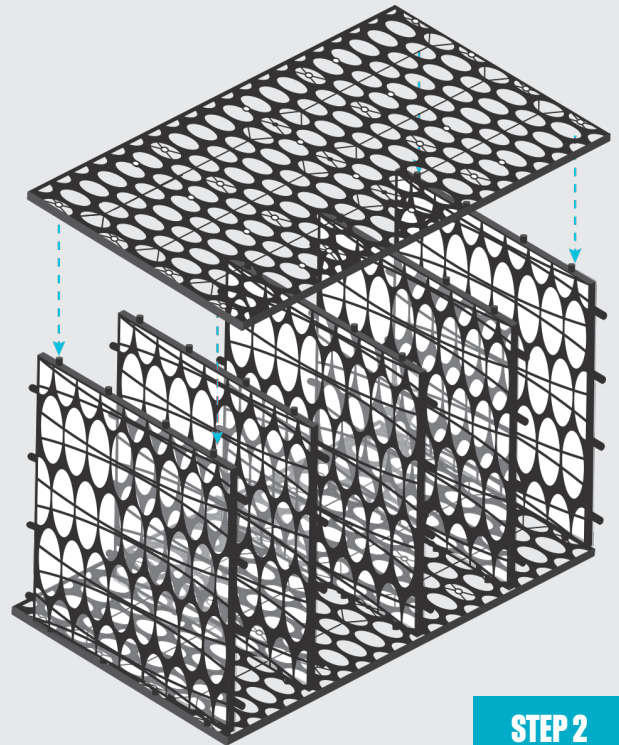
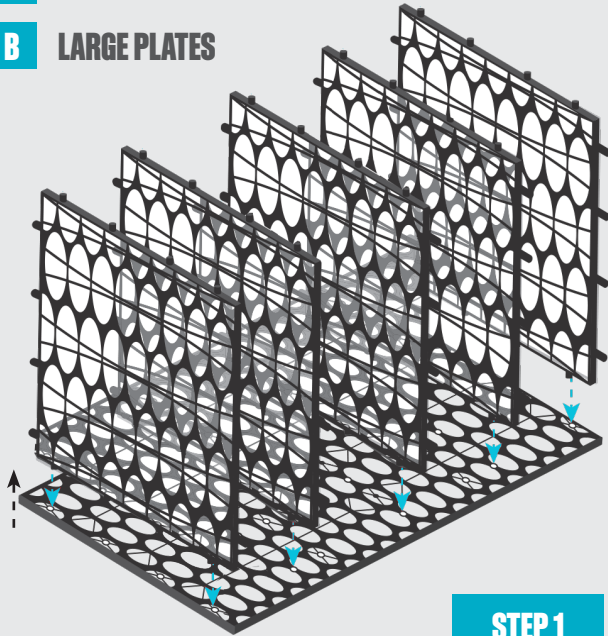
RUBBER Mallet

Single Module

5 Plate Assembly

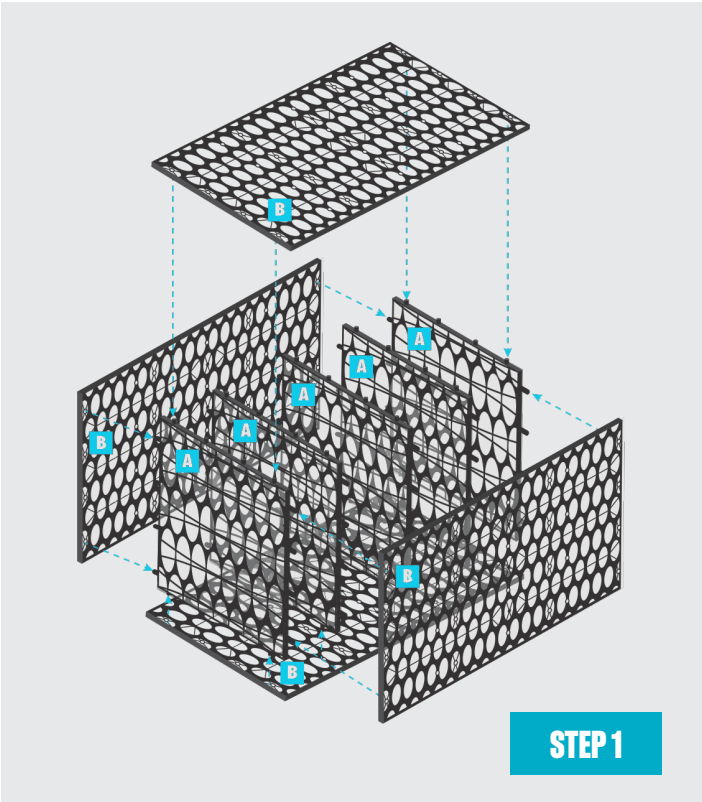
A SMALL PLATES

B LARGE PLATES



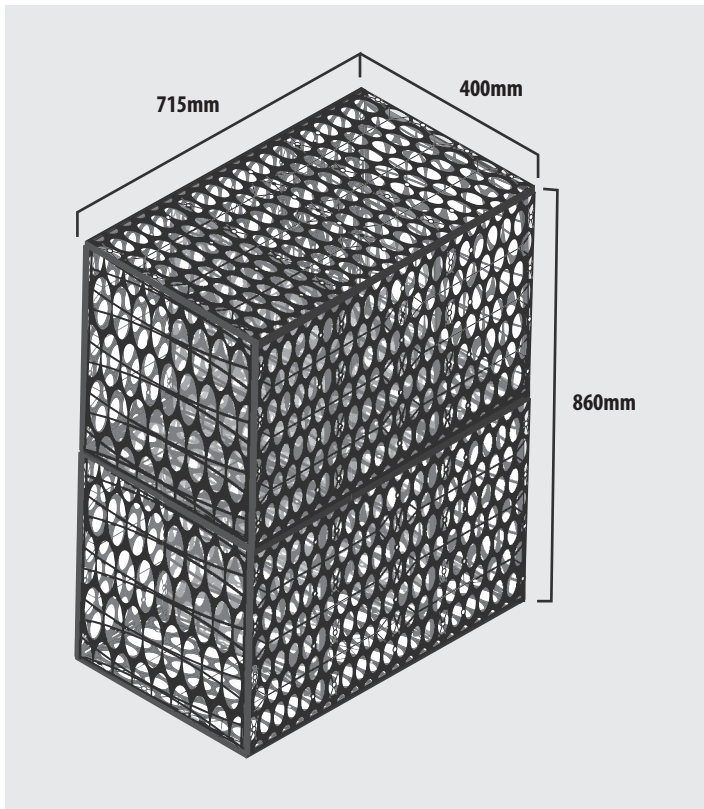
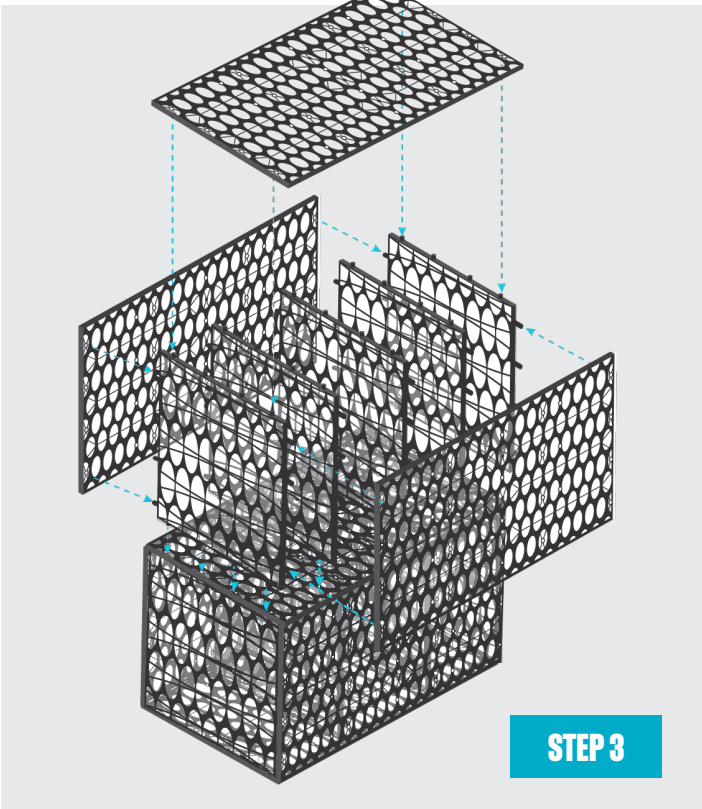
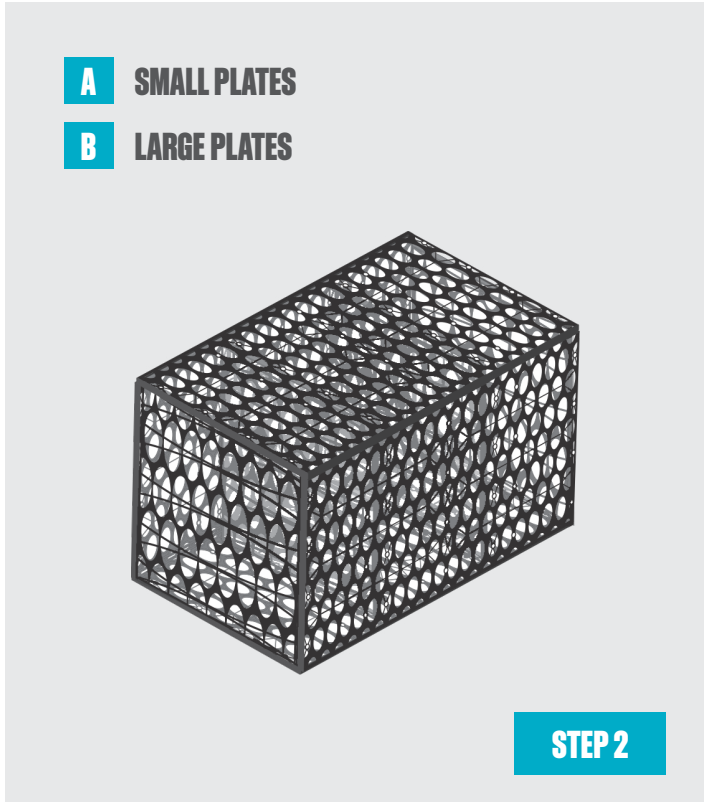
Double Module

5 Plate Assembly



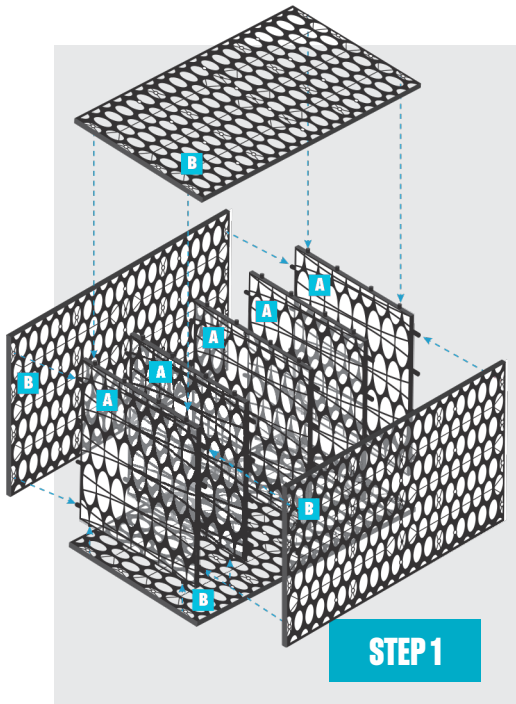
A SMALL PLATES

B LARGE PLATES



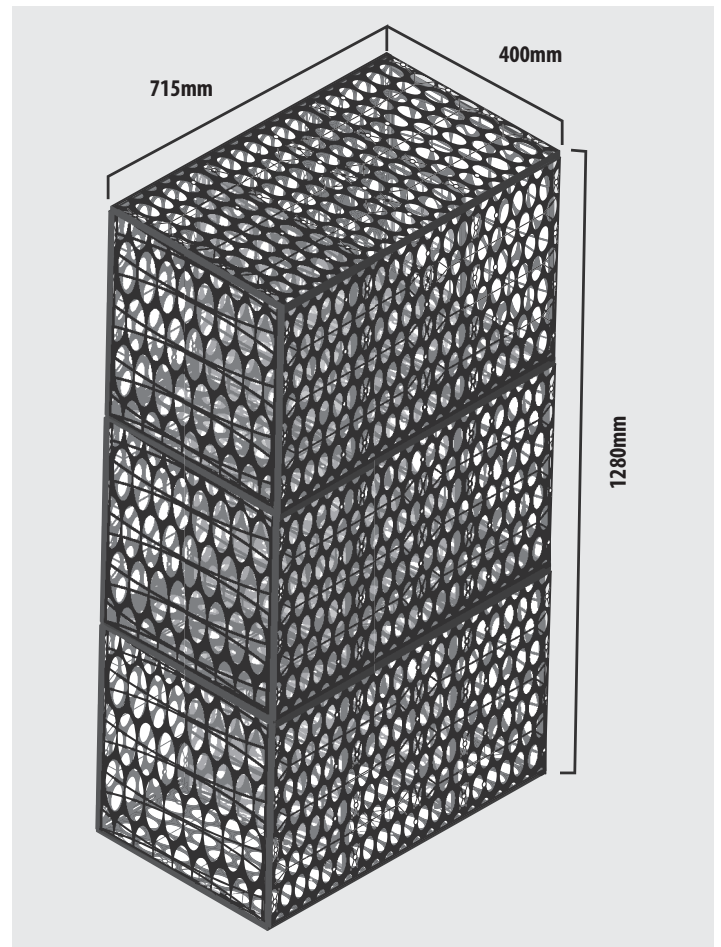
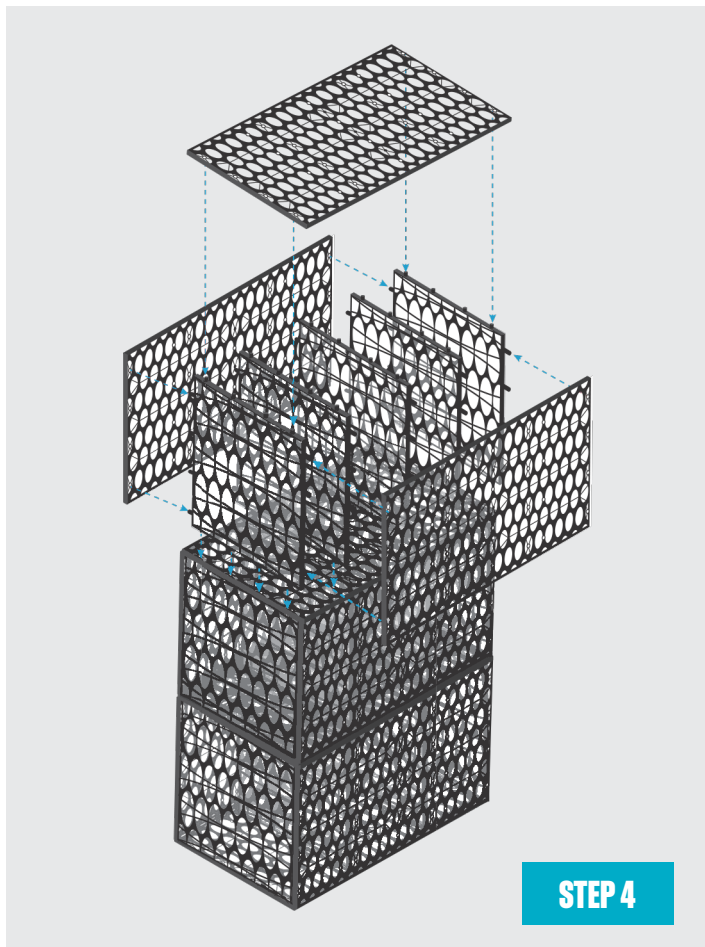
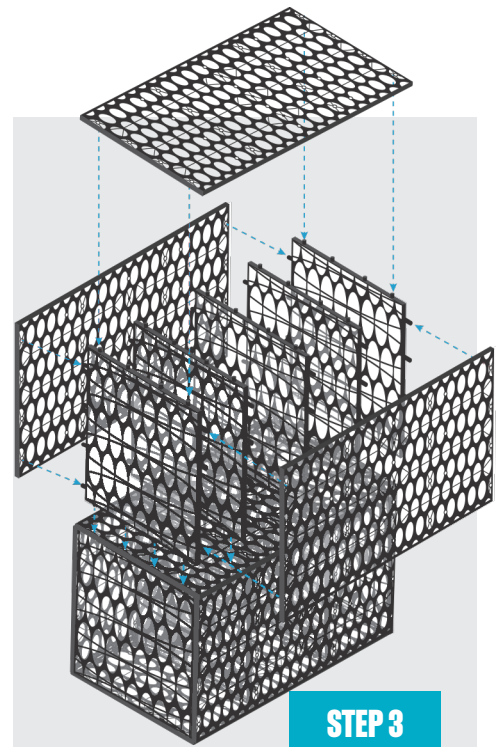
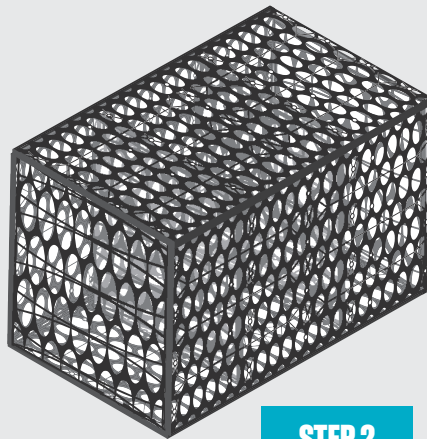
Triple Module

5 Plate Assembly



A SMALL PLATES

B LARGE PLATES



DISCLAIMER

All information provided in this brochure is correct to the best knowledge of the company and is given out in good faith. The information presented herein is intended only as a general guide to the use of such products and no liability is accepted by Strol Ltd for any loss or damage however arising, which results either directly or indirectly from use of such information. Strol Ltd have a policy of continuous development therefore information and product specifications may change without notice. This brochure is subject to copyright in its entirety. The contents may not be reproduced in any form, either in whole or in part, without written permission from Strol Ltd. While every effort has been made to ensure the accuracy of the information in this brochure, Strol Ltd assumes no responsibility for errors or omissions or for any consequences of reliance on this catalogue. Copyright 2021. All rights reserved.

StrolTM

+61 2 9066 6716
sales@strol.com.au